



All of Xavee products are designed to fit in any standard enclosure.



From Low Lux to Night Vision, check with your distributor for the appropriate Lux Camera.



You will see the difference the Xavee brand brings you.

VISIBLY BETTER



Xavee-CV540VAVRIR

Features.

- Visible distance: Approx. 60FT
- VARIFOCAL 3.5-8mm
- 600TVL DNR (digital noise reduction)
- Tri-Axis
- **Vandalproof**
- **Dual voltage 12VDC/24V AC**



This series are using the newest DSP technology, it's coming with high-level image quality, good function and many humanization designs. The resolution is up to 540TVL.

The design of the 3 Axis: It's easily used. The users can adjust the lens to each angle. The Day/Night function: Enlarging the application scope so as to fit different kinds of environment.

The design of the DIP switch: It's used to setup the functions of the cameras such as BLC, Auto Gain, Electrical Shutter, Mirror etc so as to supply much better images for the users.

The convenient infrared surveillance function: The surveillance in the dark environment is well applied.

Main Function:

- | | |
|--|---------------------------------------|
| 1.Up to 540TVL | 7.BLC |
| 2.Electrical Shutter | 8.Vari-focal Lens |
| 3.The Day/Night function | 9.The 3 axis with humanization design |
| 4.DNR | 10.Mirror |
| 5.AWB | 11.Low consumption |
| 6.The IR-Cut be switched automatically | |

High Resolution:

As for the new DSP technology, the resolution is up to 540TVL and the image is much more clearer.



420TVL



540TVL

The Day/Night function:

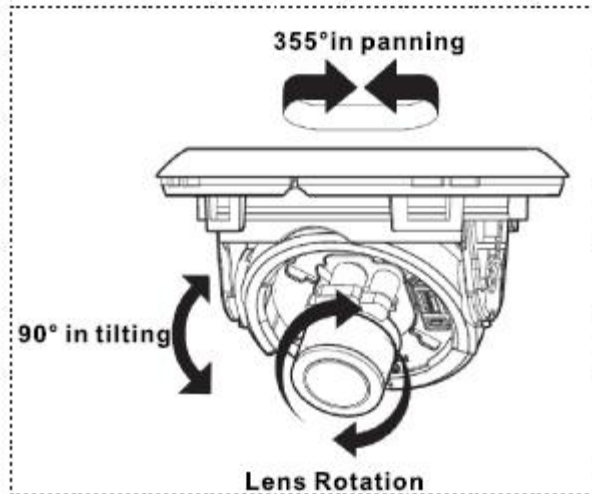
The image is mostly to be color in the day time and B/W in the night so as to greatly improve the camera's resolution.



Day



Night



When the camera is fixed on the ceiling, you can adjust the camera viewing angle. You can rotate the camera leftward or rightward (Panning) and can change the scope of the camera upward or downward (Tilting).

In case of panning, the rotation limit is set to 355 degree (100 degree clockwise and 255 degree counterclockwise). In case of tilting, you can change the scope of the camera from zero to 90 degree.

Adjusting the focus according to your need so as to make the image clear.

Model No.	<u>Xavee-CV600VAVRIR</u>
Signal System	NTSC/PAL (special orders)
Image Device	1/3" Sony CCD
Synchronization	Internal
Horizontal Resolution	600 TV Lines
Minimum Illumination	Approx. 0.00 Lux/F1.2
S/N Ration	more than 48dB(AGC OFF)
Video Output	1.0Vp-p75Ω
Auto electronic Shutter	1/60-1/100,000Sec
Auto White Balance	On/Off
Gain Control	On/Off
Lens	3.5-8mm
AES	Auto Electronic Shutter On/Off
Visible distance	Approx. 60FT
Power Source	24VAC/DC12V±1V 450MA
Ambient Operation Temp.	-10°C ~ +50°C
Dimension	150mm(H) × 185.5mm(W)
Weight	Approx. 1.3g